

**Part Number: PT929-42180**

**Kit Contents**

Item #	Quantity Req'd.	Description
1	1	Applique, RR Bumper
2		

**Hardware Bag Contents**

Item #	Quantity Req'd.	Description
1		
2		

**Additional Items Required For Installation**

Item #	Quantity Req'd.	Description
1		
2		

**Conflicts**

None
------

**Recommended Tools**

<b>Personal &amp; Vehicle Protection</b>	<b>Notes</b>												
None													
<b>Special Tools</b>	<b>Notes</b>												
Squeegee	4" (3M™Gold) or 4" (3M™Silver)												
Low Friction Sleeve	3M SA-1 (OPTIONAL)												
Surface Thermometer	Infrared Non-contact												
Heat Gun	Master Heat Gun HG-301A or equivalent												
<b>Installation Tools</b>	<b>Notes</b>												
Lint Free Rags													
Spray Bottle	For wetting agent												
<b>Special Chemicals</b>	<b>Notes</b>												
Cleaner	VDC approved cleaner and cleaning method												
Wetting Agent Note: Solution depends upon ambient temperature of the part and the vehicle surface. If it is difficult to remove bubbles with a squeegee, add one more ml. of shampoo.	Johnson's Baby Shampoo mixed in one liter of water: <table border="1" style="margin-left: 20px;"> <thead> <tr> <th>Temp</th> <th>Shampoo</th> </tr> </thead> <tbody> <tr> <td>65° F</td> <td>.5 mL</td> </tr> <tr> <td>70° F</td> <td>.75 mL</td> </tr> <tr> <td>80° F</td> <td>1 mL</td> </tr> <tr> <td>90° F</td> <td>1.5 mL</td> </tr> <tr> <td>100° F</td> <td>2 mL</td> </tr> </tbody> </table>	Temp	Shampoo	65° F	.5 mL	70° F	.75 mL	80° F	1 mL	90° F	1.5 mL	100° F	2 mL
Temp	Shampoo												
65° F	.5 mL												
70° F	.75 mL												
80° F	1 mL												
90° F	1.5 mL												
100° F	2 mL												

**General Applicability**

MY18 and newer RAV4 vehicles
------------------------------

**Recommended Sequence of Application**


Item #	Accessory
1	
2	


\*Mandatory


**Vehicle Service Parts** (may be required for reassembly)


Item #	Quantity Req'd.	Description
1		
2		


**Legend**


 **STOP:** Damage to the vehicle may occur. Do not proceed until process has been complied with.

 **OPERATOR SAFETY:** Use caution to avoid risk of injury.

 **CAUTION:** A process that must be carefully observed in order to reduce the risk of damage to the accessory/vehicle and to ensure a quality installation.

 **TOOLS & EQUIPMENT:** Used in Figures calls out the specific tools and equipment recommended for this process.

 **REVISION MARK:** This mark highlights a change in installation with respect to previous issue.

 **SAFETY TORQUE:** This mark indicates that torque is related to safety.

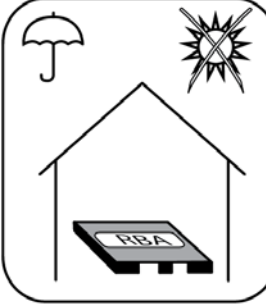
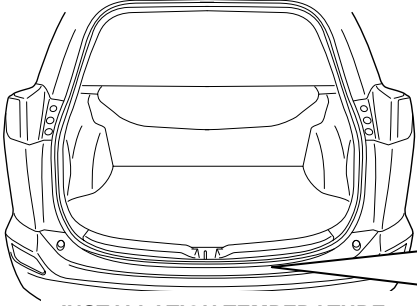


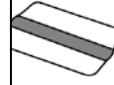


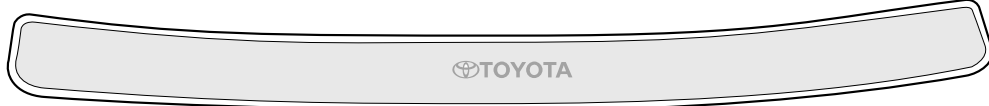
Care must be taken when installing this accessory to ensure damage does not occur to the vehicle. The installation of this accessory should follow approved guidelines to ensure a quality installation.

These guidelines can be found in the "Accessory Installation Practices" document.

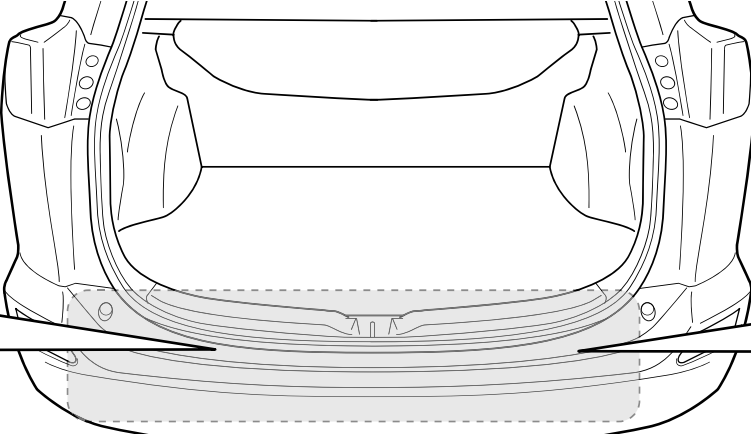
This document covers such items as:


- Vehicle Protection (use of covers and blankets, cleaning chemicals, etc.).
- Safety (eye protection, rechecking torque procedure, etc.).
- Vehicle Disassembly/Reassembly (panel removal, part storage, etc.).
- Electrical Component Disassembly/Reassembly (battery disconnection, connector removal, etc.).


Please see your Toyota dealer for a copy of this document.

 <p>STORAGE</p>	 <p>INSTALLATION TEMPERATURE</p>	 <p>CLEANER</p>	 <p>SOAP &amp; WATER</p>	
		 <p>SQUEEGEE</p>	 <p>SLEEVE (OPTIONAL)</p>	 <p>LINT FREE</p>
 <p>REAR BUMPER APPLIQUE (MAY APPEAR BLUE OR WHITE)</p>				

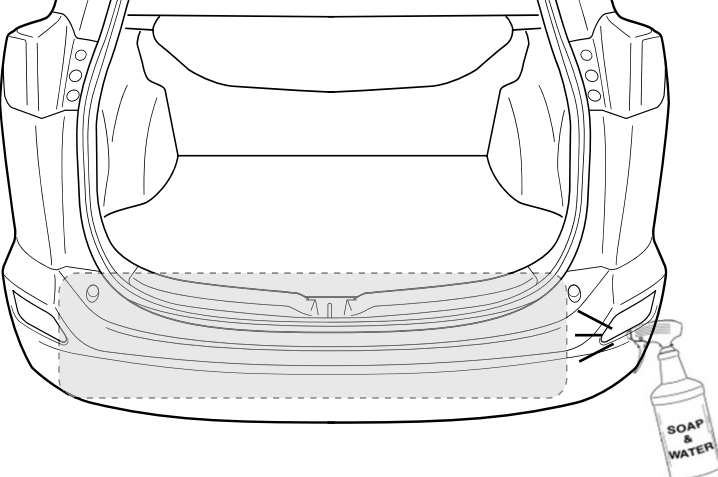
1



a  CLEAN

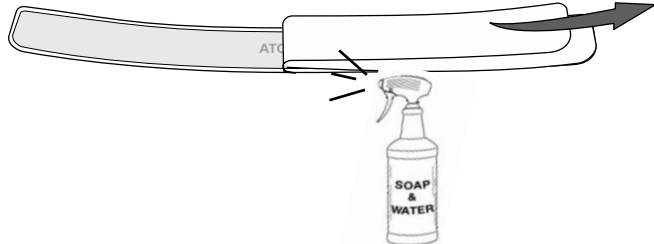
b  DRY

2



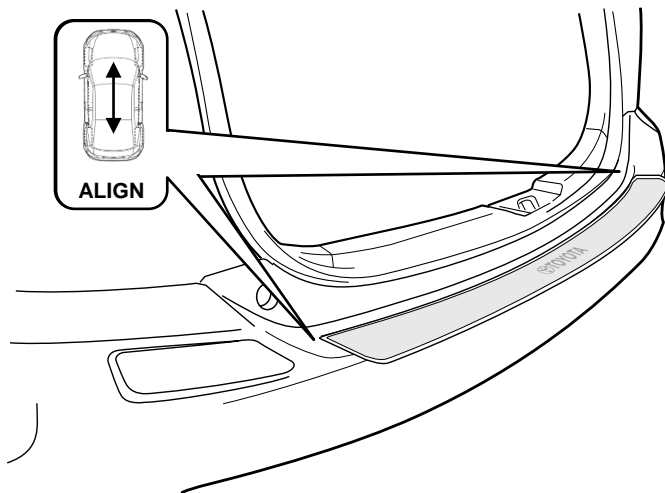
SOAP & WATER

3

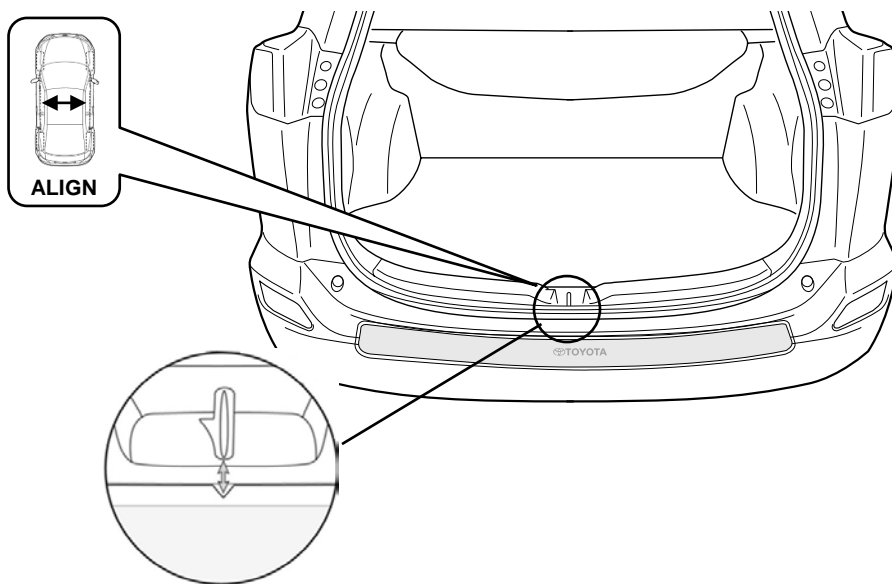


SOAP & WATER

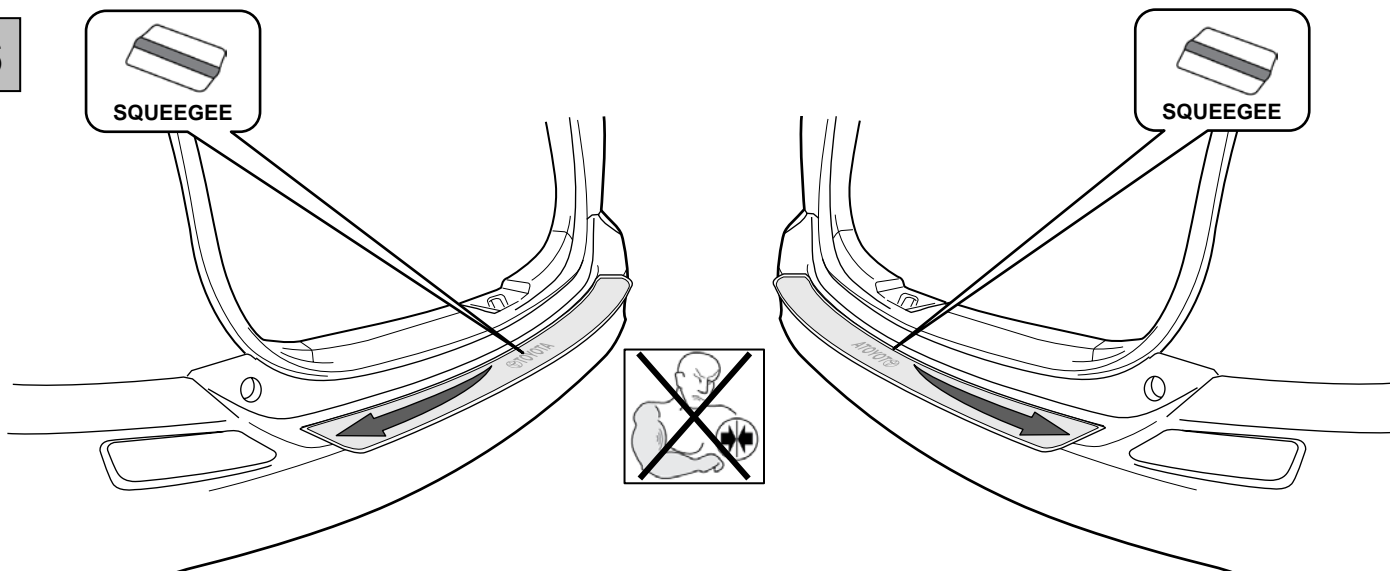
4



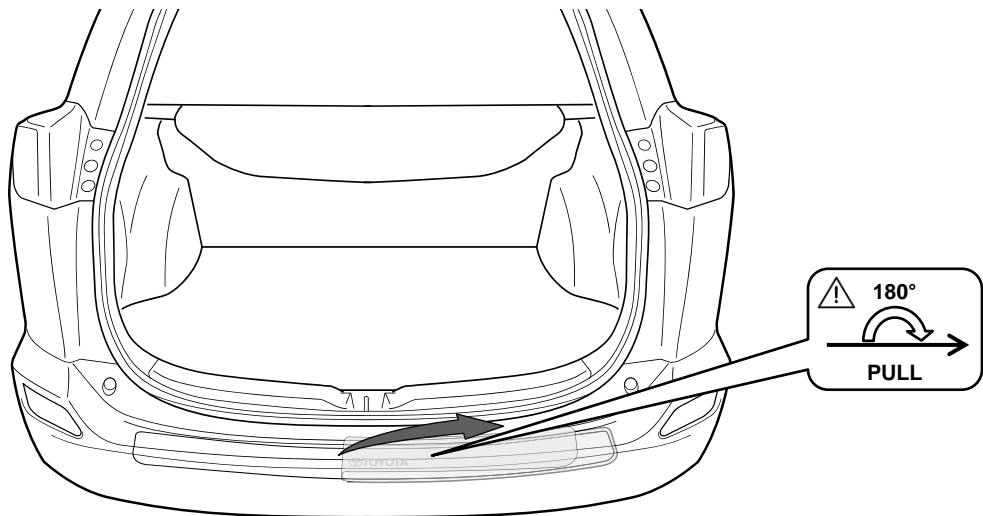
5



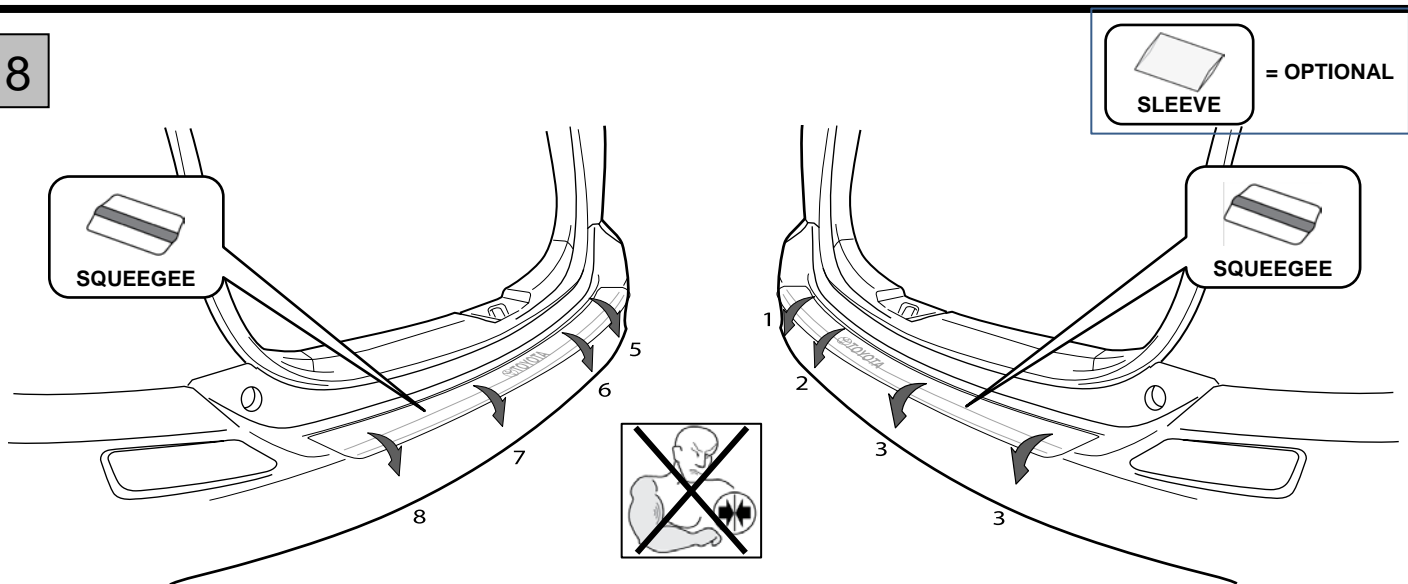
6



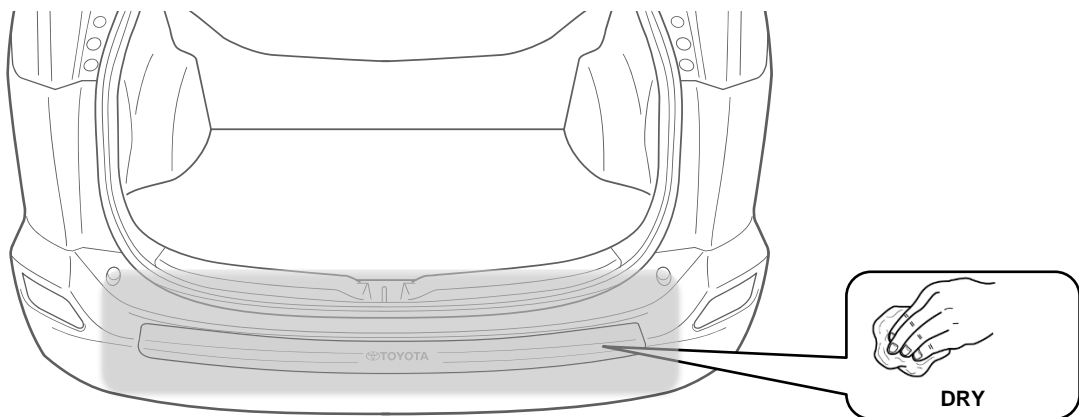
7



8



9



**TOYOTA RAV4 2018 - REAR BUMPER APPLIQUE**  
Checklist - these points **MUST** be checked to ensure a quality installation.

<u>Check:</u>	<u>Look For:</u>
<p><u>Accessory Function Checks</u></p> <ul style="list-style-type: none"><li><input type="checkbox"/> Proper adhesion – Visual</li><li><input type="checkbox"/> Proper adhesion – Physical</li> <li><input type="checkbox"/> Proper alignment – Cross-Car</li></ul>	<p>Look for bubbles, loose and lifting edges.</p> <p>With light pressure rub hand over the top of the part and if a crackling sound occurs, re-squeegee. If bubbles cannot be worked out to the nearest edge, the replace part.</p> <p>Part must be centered within bumper +/-3 mm.</p>
<p><u>Vehicle Appearance Check</u></p> <ul style="list-style-type: none"><li><input type="checkbox"/> After accessory installation and removal of protective cover(s), perform a visual inspection.</li></ul>	<p>Ensure no damage (including scuffs and scratches) was caused during the installation process. (For PPO installations, refer to TMS Accessory Quality Shipping Standard.)</p>